

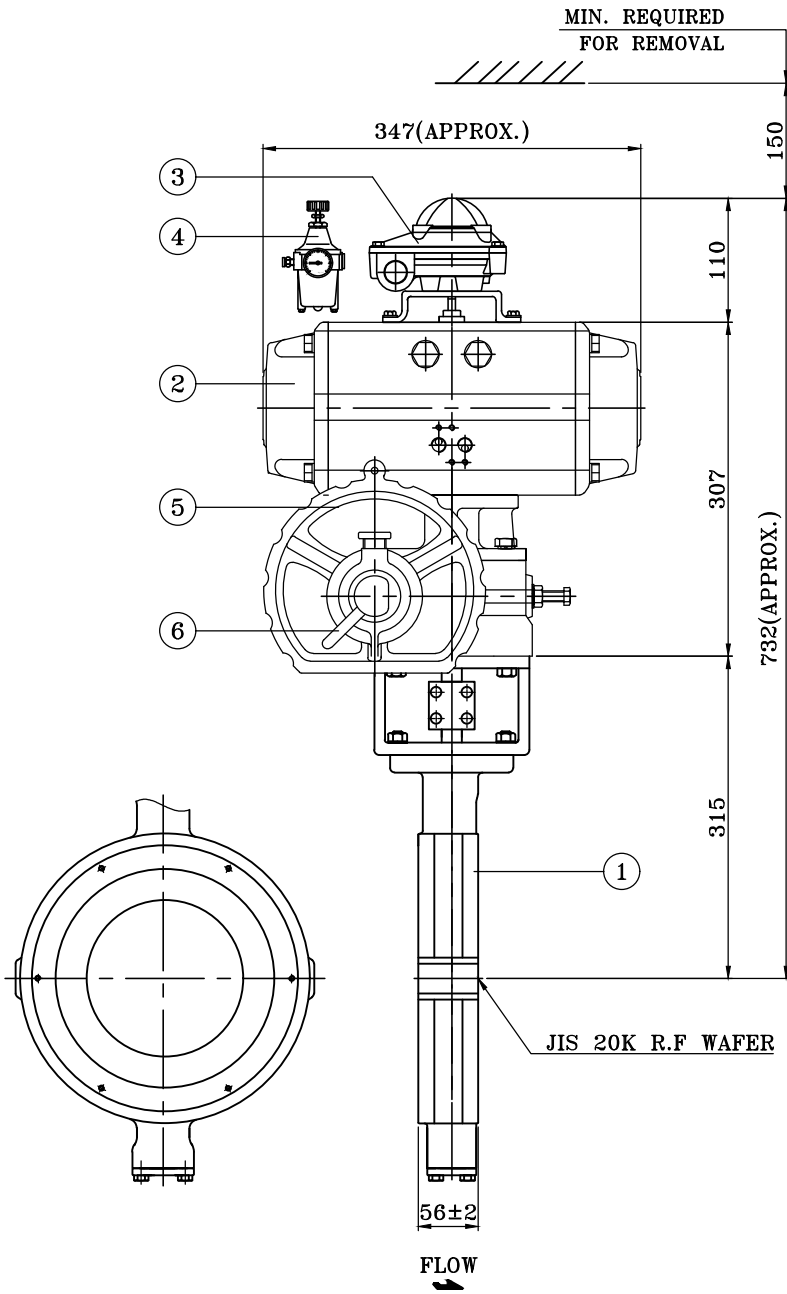


VALVE DATA SHEET

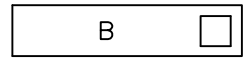
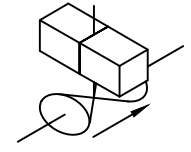
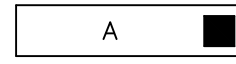
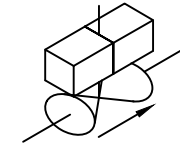
Project			
Item	Pneumatic Shut-Off Hi-Performance Butterfly Valve	Sheet No.	1 OF 1
Service		P&ID No.	
Tag. No.	HSV-3551 / 4551	MFG. No.	
Model No.	YABB-211E1	Q'ty (Set)	1

SERVICE CONDITIONS	1	Medium	Water		Liquid		ACTUATOR	46	Actuator Type	Single Acting Cylinder		
	2		Max. Q	Nor. Q	Nin. Q			47	Model No.	B3SR		
	3	Flow Rate	kg/hr					48	Close At (bar G)	Open At (bar G)	3.5	2.0
	4	Inlet Pressure	kgf/cm ² G					49	Fail Position (Signal / Air)	Open		
	5	Outlet Pressure	kgf/cm ² G					50	Hand-Wheel (Type / Location)	Declutchable		
	6	Differential Pressure	kgf/cm ²					51	Painting Color (RAL No.)	RAL 9011		
	7	Inlet Temperature	°C	40				52	Painting Type	PX8576(S)-BLACK(AB-1)		
	8	Specific Gravity	G					I / P POSITIONER	53	Input Signal (mA DC)	-	
	9	Density	kg/m ³						54	Output Pressure (bar G)	-	
	10	Molecular Weight	M.W						55	Type	-	
	11	Viscosity	cPs						56	Enclosure	-	
	12	Predicted SPL	dBA						57	Model No.	-	
	13	Calculated Cv							59	MFG.	-	
	14	Opening Lift	%						POSITION TRANSMITTER	59	Output (mA DC)	-
	15							60		Type	-	
	16							61		Model No.	-	
DESIGN	17	Shut Off ΔP			kgf/cm ² G		SOLENOID VALVE	62	Power	DC24V		
	18	Design Pressure			kgf/cm ² G			63	Type	3-Way		
	19	Design Temp.			°C			64	Enclosure	IP-66		
LINE	20	Inlet Pipe Size (A) / Sch. No.	125				LIMIT SWITCH & BOX	65	Model No.	M15G-8DE-12PU		
	21	Outlet Pipe Size (A) / Sch. No.	125					66	MFG.	KANEKO		
BODY & TRIM	22	Body Type	Butterfly (Hi-Performance)				AIR SET	67	Quantity	Close/Open		
	23	Body Size (A)	Port Size (A)	125	125			68	Type	SPDT		
	24	Trim Design	Guide	Eccentric	Top & Bottom			69	Enclosure	IP-66		
	25	Trim Type	Trim Seal Ring	-	-		70	Model No.	APL-210N			
	26	Rating & End Connection	JIS 20K R.F Wafer				71	MFG.	HKC			
	27	Flange Facing	Smooth-Finish				ACCESSORY	72	Air Supply Pressure (bar G)	6		
	Material	28	Body	SCPH2				73	Model No.	AR-1501		
		29	Plug / Disc / Ball	SCS13				74	Lock-Up Valve	-		
		30	Seat	RTFE				75	Volume Booster	-		
		31	Cage	-				76	Snap Acting Relay	-		
		32	Stem	SUS304				77	Check Valve	-		
	33	Packing	PTFE					78	Air-Operated Valve	-		
	34	Bonnet Type	Standard				79	Exhaust Valve	-			
	35	Trim Form	Quick-Open				80	Speed-Controller	Close/Open			
	36	Max.Allow Sound Level (dBA)	85				81	Silencer	Close/Open			
	37	Required Seat Tightness	ANSI CLASS VI				82					
	38	Rated Cv	-				83					
	39	Stroke	90°				84					
	40	Flow Action To	Direct				85					
	41	Painting Color (RAL No.)	RAL 9006				MISCELLANEOUS	86	Conduit Connection	Air Supply	PT.F 1/4"	
	42	Painting Type	SS-Coat 909					87		Electrical	PF.F 1/2"	
	43							88	Water Seal	-		
	44							89	Tubing Material	316 SS		
	45							90				

NOTE					
0	2022-11-15	For Quotation	S. J. K	H. S. L	S. S. H
No.	Date	Revision	Prepared By	Checked By	Approved By



Actuator Location



- Tag No. : HSV-3551 / 4551

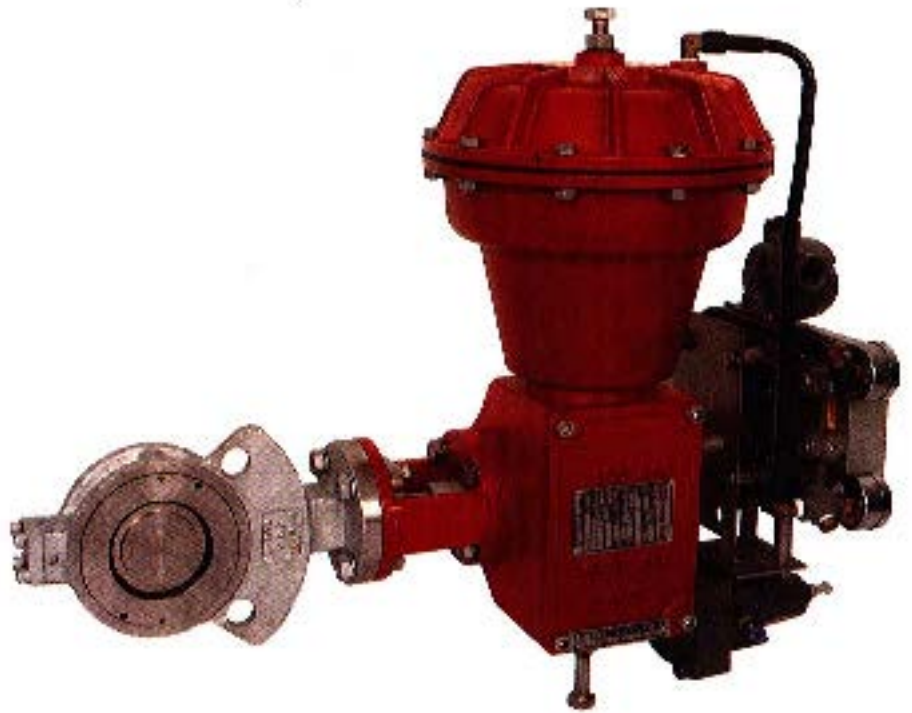
6	Locking Bar		
5	Hand Wheel		
4	Air-Set		
3	Limit Switch & Box		
2	Actuator		
1	Body	SCPH2	
No.	Name Of Parts	MATERIAL	Remark
Model No.	YABB-211E1	Size	125A
DWG. Name Pneumatic Shut-Off Hi-Performance Butterfly Valve			
DRAW'N	J.H Bae	APP'D	J.S Noh
		Date	2022.11.15
		Rev.	0
		Sheet No.	1 of 1

PROVAL PROVAL Co., Ltd.



CONTROL VALVE STANDARD SPECIFICATION

HIGH-PERFORMANCE BUTTERFLY VALVE



<http://www.proval.co.kr>

PROVAL PROVAL Co., Ltd.

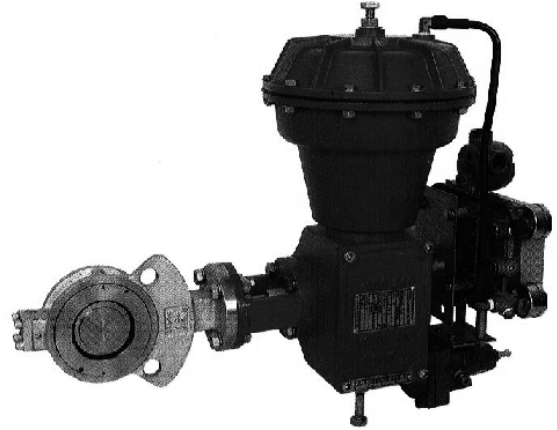
[D-1]

PROVAL

HIGH-PERFORMANCE BUTTERFLY VALVES

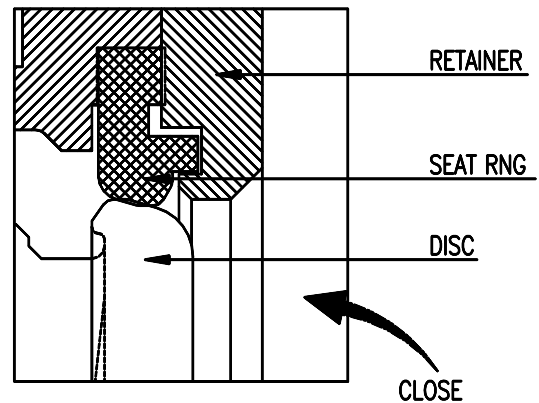
GENERAL

The design of **PROVAL** YADB, YABB, YACB Series is a high-performance butterfly valve designed to control for difficult-to-control fluids impossible with conventional universal type of butterfly valves. Featuring a self sealing seat ring, double eccentric disc, and a choice of three seat rings, the YADB Series far surpasses ball valves and gate valves – even fluids such as corrosive slurry and high-pressure steam can be perfectly sealed off.

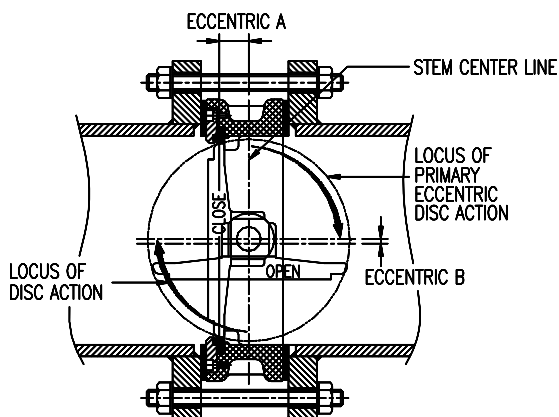


FEATURES

- **Self-sealing mechanism ensures a tight shut-off**
 - As illustrated below, fluid pressure to the disc and seat ring ensures a secure seal. The higher the pressure, the better the sealing performance. The sealing performance remains unchanged even when the flow direction changes from one way to the other.

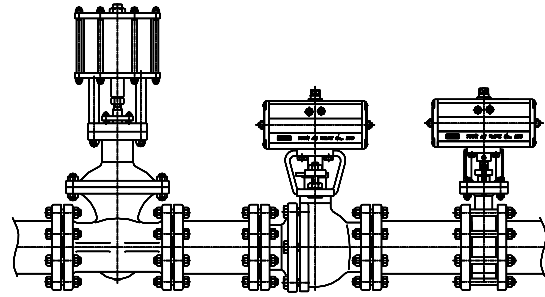


- **Double eccentric disc ensures longer service life, low seating torque and leak-tight shut-off.**
 - Since the stem is eccentric from the seat ring (as indicated by A and B), the disc has contact to the seat ring only when the valves is completely closed. Here are benefits from the double eccentric disc design:

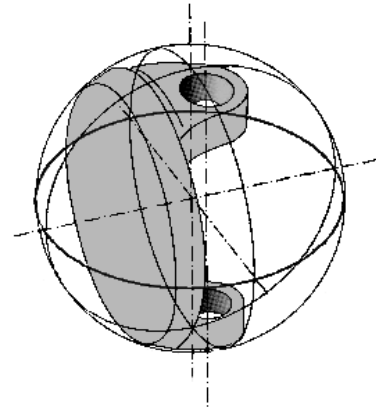


- Less wear of the seat ring offers longer service life of the seat ring.
- When the disc closes, the disc pushes the seat ring outward and ensures perfect sealing.
- Easy operation with less seating torque.
- Easy replacement of the seat ring without removing the stem, thanks to the design of the stem not penetrating through the seat ring.

- Compact, lightweight, and cost-effective
 - Employing the thin wafer body, the YADB series is significantly smaller and lighter than gate valves or ball valves, and piping works can be greatly simplified.



- Eccentric disc
 - Extending seat service life
 - Improving sealing
 - Reducing operating torque
 - Providing smooth and even touch
 - Eliminating friction



STANDARD SPECIFICATION

Model No.		YADB Series, YABB Series, YACB Series																									
Valve Type		Diaphragm & Cylinder actuator operated high-performance butterfly valve.																									
BODY	Valve Size	(mm)	50	65	80	100	125	150	200	250	300	350	400	450	500	550	600	650	700	750	800	850	900	1000	1100	1200	
		(inch)	2	2½	3	4	5	6	8	10	12	14	16	18	20	22	24	26	28	30	32	34	36	40	44	48	
	Pressure Rating		ANSI 150# ~ 300# / JIS 10K ~ 20K / JPI 150# ~ 300# / PN 6bar ~ 25bar																								
	End Connections		FLANGES , WAFER , B.W																								
	Body Materials		A216-WCB, A351-CF8, CF8M, CF3M																								
	Operating Temperature		Soft Seat	-45°C ~ +180°C (PTFE, RTFE) , # -196°C(PCTFE), +250°C(PEEK)																							
			Metal Seat	Max 450°C (SUS304, SUS316, SUS316L, Monel)																							
	Guide		Top & Bottom guide																								
	Gland Packing		PTFE yarn, Graphite yarn																								
	Gland type		Bolted gland																								
	Painting Color		Standard is silver. In the case of stainless steel, flange is not painted.																								
	Disc Characteristics		Modify EO %, Quick opening																								
	Flow Direction		Direct																								

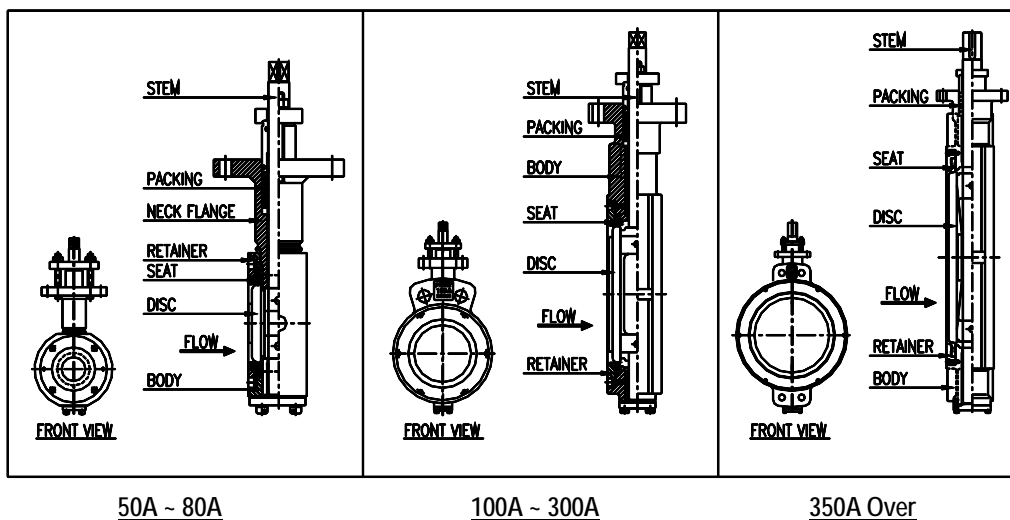
PERFORMANCE	Valve Action	Direct action, Reverse action.		
	Allowable Differential Press.	See "ALLOWABLE PRESSURE DROP" page 7		
	Rated Cv Value	See "FLOW CHARACTERISTICS" page 6, 7		
	Flow Characteristics	See "FLOW CHARACTERISTICS" page 6		
	Rangeability	20:1 (※ 100:1 Special Order - Leakage Rate : Class II)		
	Allowable Seat Leakage Ratio	Soft Seat	ANSI B16. 104 Class VI	
		Metal Seat	ANSI B16. 104 Class III (※ ANSI B16.104 Class IV, ANSI Class V(Monel))	
Action Accuracy	Hysteresis	(Without positioner) max. 5% F.S. (With positioner) max. 2% F.S.		
	Linearity	(Without positioner) max. ±6% F.S. (With positioner) max. ±2% F.S.		
ACTUATOR	Model	DB-240, DB-300, DB-400, DB-520	B0S(R) ~ R12S	
	Actuator Type	Single acting diaphragm operated.	Rotary cylinder actuator (Double, Single)	
	Actuator Size	Ø240 ~ Ø520	Ø50 ~ Ø400	
	Max. Stroke (mm)	60°, 90°	90°	
	Supply Air Pressure kPa (kgf/cm ² G)	160 (1.6), 320 (3.2)	500~700 (5.0~7.0)	
	Spring Range kPa (kgf/cm ² G)	60~100 (0.6~1.0), 120~200 (1.2~2.0)	Single: 200~350 (2.0~3.5) Double: 400~400 (4.0~4.0),	
	Materials	Diaphragm: EPDM	Piston O-ring: N.B.R or VITON	
	Air Connection	Rc 1/4	Rc 1/4 ~ Rc 1	
	Ambient Temperature	-20°C ~ +70°C (※ -20°C ~ +100°C)	-10°C ~ +70°C (※ 0°C ~ +100°C)	
	Painting Color	Standard is Cobalt Blue(Munsell No : 2.5 PB3/10) [Request other color]	Standard is red. [Request other color]	

[Notes] (1) Valve performance is represented under the condition of standard packing (PTFE yarn).

(2) ※ : Manufactured and attached as according to customer's order.

MATERIAL DATA

• Body section view



MATERIAL DATA

1. Combining the valve body and trim material.

1-1 Soft seat type

Parts Name		Materials			
Body		A216-WCB	A351-CF8	A351-CF8M	A351-CF3
Trim	Disc	A351-CF8 + Buffing, A351-CF8 + Hard chrome plated A351-CF3 + Buffing, A351-CF3 + Hard chrome plated			A351-CF3M + Hard chrome plated
	Seat ring	PTFE, RTFE (Reinforced Teflon), RTFE (Carbon fiber filled Teflon), PCTFE			
	Stem	SUS304, SUS316, SUS420J2 + Hcr plated			SUS316L + Hcr plated
Gland Packing		PTFE, Graphite			
Gland		SUS304			
Stud Bolt & Nut		SNB7/S45C(H)	SUS304		

1-2 Metal seat type

Parts Name		Materials			
Body		A216-WCB	A351-CF8	A351-CF8M	A351-CF3
Trim	Disc	A351-CF8 + Stellite face, A351-CF3 + Stellite face A351-CF8M + Stellite face			A351-CF3M + Stellite face
	Seat ring	SUS316 + Hard ion. N & Chrome plated, Monel			SUS316L + Hard ion. N & Chrome plated
	Stem	SUS316 + Hard Chrome plated			SUS316L + Hard Chrome plated
Gland Packing		PTFE, Graphite			
Gland		SUS304			
Stud Bolt & Nut		SNB7/S45C(H)	SUS304		

2. Body material & operating pressure-temperature rating.

2-1 ANSI

[Unit: kgf/cm²G]

Material Temp. (°C)	150#			300#		
	SCPH2 WCB	SCS13 CF8	SCS14A CF8M	SCPH2 WCB	SCS13 CF8	SCS14A CF8M
-196 ~ 38	-	20.6	20.6	-	51.8	52.0
-5 ~ 38	21.2	20.6	20.6	53.2	51.8	51.8
50	20.8	20.0	20.0	52.3	49.9	50.2
100	19.2	17.2	17.7	48.5	42.9	44.2
150	17.3	15.4	16.3	47.3	38.2	40.5
200	15.5	14.0	15.2	45.9	34.6	37.6
250	13.5	13.1	13.5	43.7	32.3	35.3
300	11.6	11.6	11.6	40.7	30.9	33.4
350	9.8	9.8	9.8	38.9	29.9	32.2
375	8.7	8.7	8.7	38.4	29.5	31.5
400	7.8	7.8	7.8	36.4	29.2	30.9
425	-	6.9	6.9	-	28.9	30.5
450	-	6.0	6.0	-	28.6	29.9
475	-	5.0	5.0	-	28.3	29.1
500	-	4.1	4.1	-	27.8	28.5

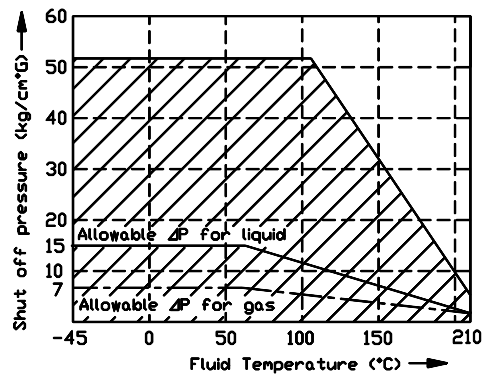
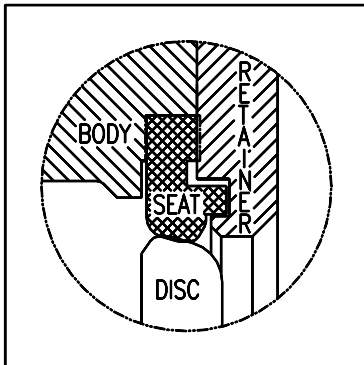
2-2 JIS

[Unit: kgf/cm²G]

Material Temp. (°C)	SCPH2		
	10K	20K	30K
~120	15.2	15.2	35.2
~220	11.2	13.2	32.2
~300	-	11.2	30.2
~350	-	-	27.2
~400	-	-	24.2

3. Trim treatment & material vs. operating pressure-temperature ratings.

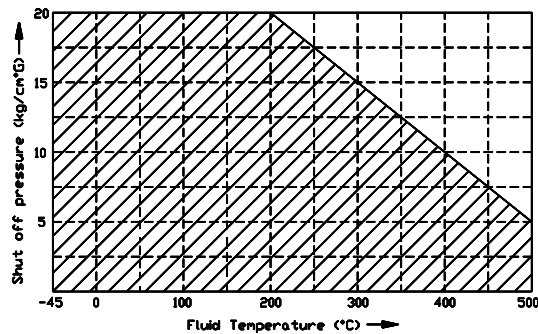
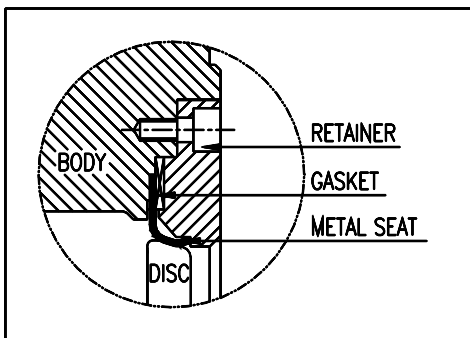
3-1 RTFE or PTFE Seat Ring (-45°C ~ +180°C)



- The RTFE seat ring is well-suited for extremely corrosive chemical solutions and high-temperature fluids of up to +210°C.

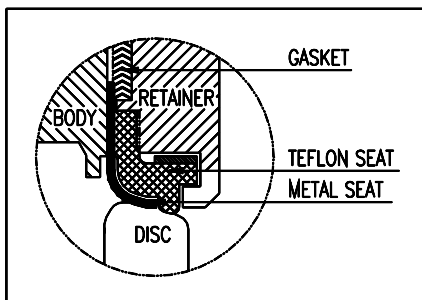
Examples: de-mineralized water, air-conditioning chilled / hot water, sea water, white liquor, formaldehyde solution, organic solvent, air, oxygen, exhaust gas, town gas, coke-oven gas.

3-2 Metal Seat Ring (SUS316 450°C)



- The metal seat ring allows control of extremely high-temperature fluids, thereby replacing conventional gate valves, and ball valves. Examples: steam, air, combustion gas, exhaust gas, sulfurous-acid gas, nitrogen gas.

3-2 RTFE + Metal Seat Ring (-45°C ~ +210°C)



- PTFE-metal-seat system

- Bidirectional sealing and fire safe design.

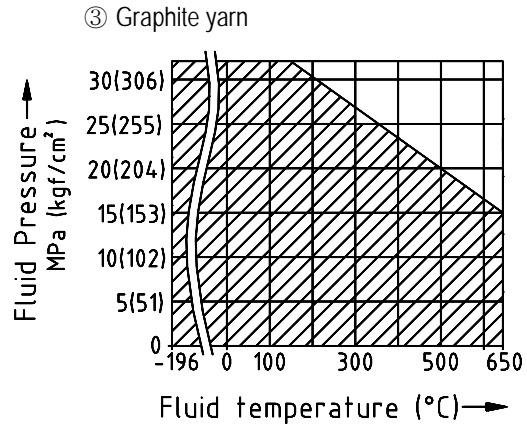
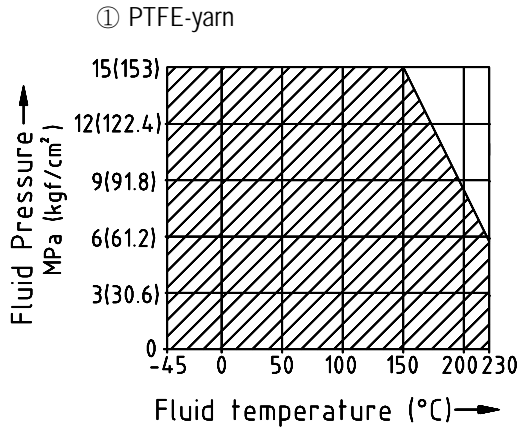
- Bidirectional

- The primary PTFE: seat ring will be replenished with a secondary metal back-up ring. This metal seat provides a mechanical load to energize the PTFE-seat. In combination with the line pressure a bidirectional sealing against the design pressure is obtained.

- Fire safe design

- After a fire, when the PTFE-seat ring has burned away, the secondary metal seat gives bidirectional sealing. This sealing systems meets the fire test requirements.

4. Gland packing operating pressure-temperature ratings.



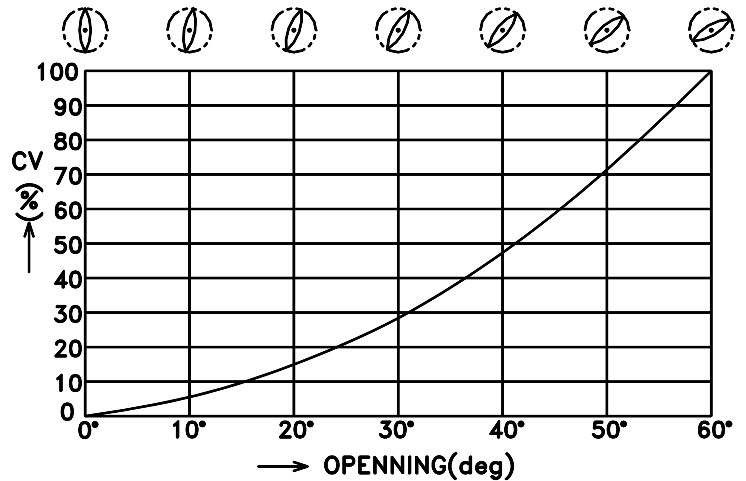
FLOW CHARACTERISTICS

1. 60° Opening type

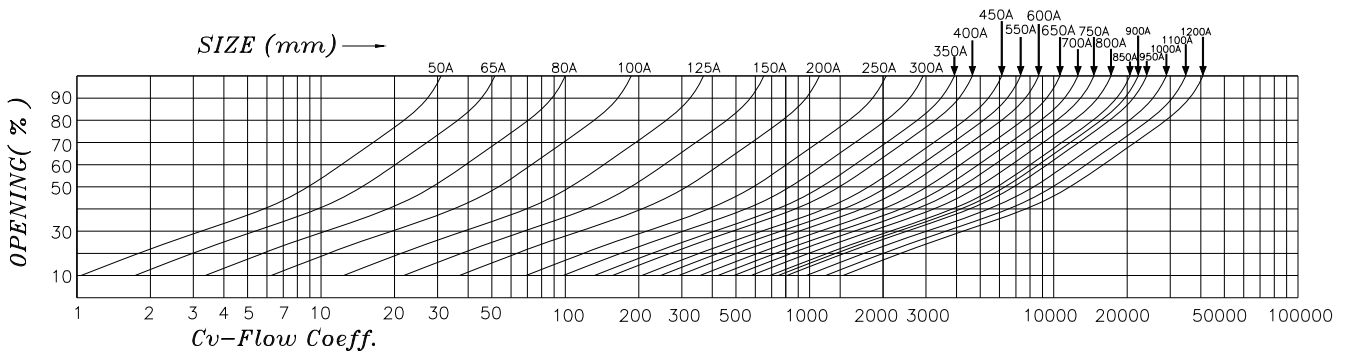
1-1 Cv value

Size (mm)	Cv	Size (mm)	Cv
50	31	500	7313
65	51	550	8755
80	98	600	11175
100	196	650	13000
125	376	700	15200
150	644	750	17100
200	1236	800	20500
250	2060	850	23500
300	2987	900	25500
350	3914	1000	29600
400	4738	1100	34700
450	6128	1200	41310

1-2 Flow curve



1-3 Flow characteristics

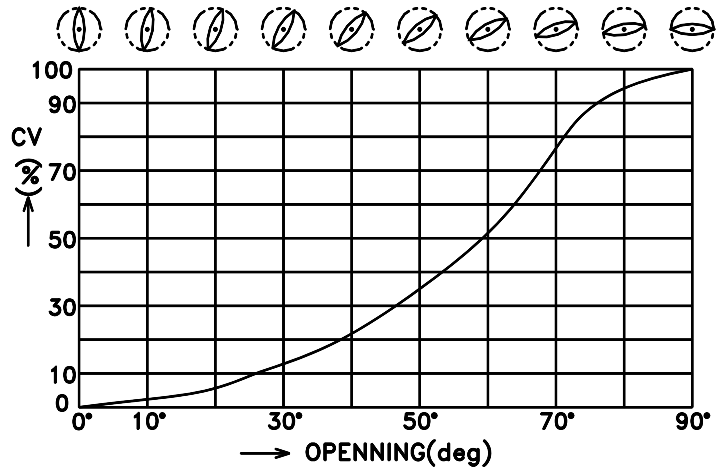


2. 90° Opening type

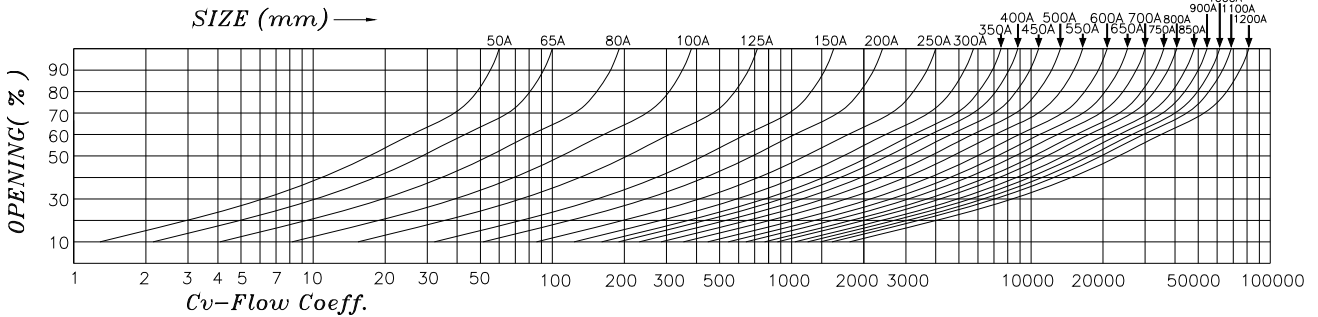
2-1 Cv value

Size (mm)	Cv	Size (mm)	Cv
50	60	500	14200
65	100	550	17000
80	190	600	21700
100	380	650	25400
125	730	700	29800
150	1250	750	33500
200	2400	800	40100
250	4000	850	46100
300	5800	900	50100
350	7600	1000	58000
400	9200	1100	68000
450	11900	1200	81000

2-2 Flow curve



2-3 Flow characteristics



MAX. ALLOWABLE PRESSURE DROP

1. Diaphragm Actuator: DB240 ~ DB520 (RA, DA)

Shaded zone represents standard application.

[Unit: Kg/cm²G]

Actuator Model	Air Supply (Kg/cm ² G)	Spring Range (Kg/cm ² G)	Valve Size														
			50A (2")	65A (2½")	80A (3")	100A (4")	125A (5")	150A (6")	200A (8")	250A (10")	300A (12")	350A (14")	400A (16")	450A (18")	500A (20")	550A (22")	600A (24")
DB240	1.6	0.6 ~ 1.0	15	10	8	6											
	3.2	1.2 ~ 2.0	29 (20)	19 (13)	15 (10)	12 (8)											
DB300	1.6	0.6 ~ 1.0				10	7	4									
	3.2	1.2 ~ 2.0				21 (15)	14 (9)	9 (6)	5 (3)	2							
DB400	1.6	0.6 ~ 1.0								16	11	9	6	3			
	3.2	1.2 ~ 2.0								33 (23)	23 (17)	19 (13)	13 (9)	7 (5)	3 (2)		
DB520	1.6	0.6 ~ 1.0										11	9	6	5	3	
	3.2	1.2 ~ 2.0										22 (15)	18 (12)	13 (9)	10 (7)	7 (5)	5 (3)

[Notes] : 1. Only for Soft Trim
 2. () → 90° Action Type

2. Rotary cylinder actuator: B0S(R) ~ R12S

■ Shaded zone represents standard application.

[Unit: Kg/cm²G]

Actuator Model	Air Supply (Kg/cm ² G)	Spring Range (Kg/cm ² G)	Valve Size														
			50A (2")	65A (2½")	80A (3")	100A (4")	125A (5")	150A (6")	200A (8")	250A (10")	300A (12")	350A (14")	400A (16")	450A (18")	500A (20")	550A (22")	600A (24")
B0S	4.0 ~ 7.0	4.0 ~ 7.0	7	4	2.4												
B0SR	5.0 ~ 7.0	2.0 ~ 3.5	3.5	2	1.2												
B1S	4.0 ~ 7.0	4.0 ~ 7.0	20	13	9	6											
B1SR	5.0 ~ 7.0	2.0 ~ 3.5	10	7.5	4.5	3											
B2S	4.0 ~ 7.0	4.0 ~ 7.0		25	20	16	11										
B2SR	5.0 ~ 7.0	2.0 ~ 3.5		13	10	8	5.2										
B3S	4.0 ~ 7.0	4.0 ~ 7.0				30	21	15	12	7	3						
B3SR	5.0 ~ 7.0	2.0 ~ 3.5				15	10.5	8	6	3.5	1.5						
B4S	4.0 ~ 7.0	4.0 ~ 7.0							16	11	8	3					
B4SR	5.0 ~ 7.0	2.0 ~ 3.5							8	5.5	4	1.5					
B6S	4.0 ~ 7.0	4.0 ~ 7.0									17	12	8.5	6			
B6SR	5.0 ~ 7.0	2.0 ~ 3.5									8.5	6	4.2	3			
R6S	4.0 ~ 7.0	4.0 ~ 7.0											15	11	6.5		
R6SR	5.0 ~ 7.0	2.0 ~ 3.5											7.5	5.5	3.2		
R7S	4.0 ~ 7.0	4.0 ~ 7.0													16	10.5	7
R7SR	5.0 ~ 7.0	2.0 ~ 3.5													8	5.2	3.5

[Notes] Only for "Soft Trim"

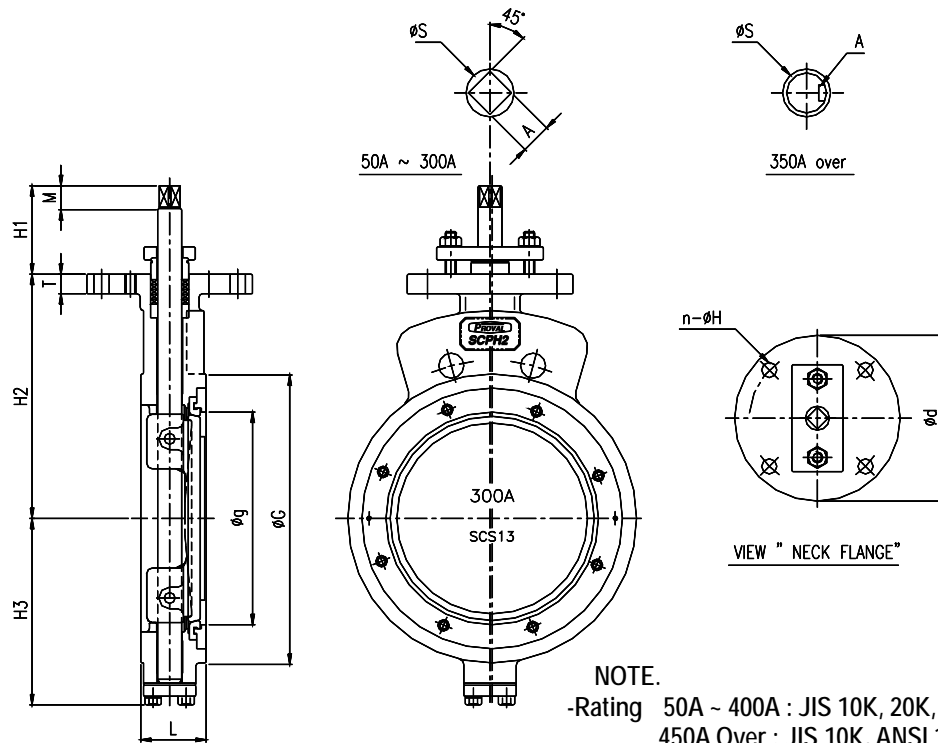
■ Shaded zone represents standard application.

Actuator Model	Air Supply (Kg/cm ² G)	Spring Range (Kg/cm ² G)	Valve Size														
			600A (24")	650A (26")	700A (28")	750A (30")	800A (32")	850A (34")	900A (36")	1000A (40")	1100A (44")	1200A (48")					
R8S	4.0 ~ 7.0	4.0 ~ 7.0	17	13	10	7	5										
R8SR	5.0 ~ 7.0	2.0 ~ 3.5				11	8	5									
R9S	4.0 ~ 7.0	4.0 ~ 7.0					13	9	6								
R10S	5.0 ~ 7.0	2.0 ~ 3.5						11	7.1	4.5							
R11S	4.0 ~ 7.0	4.0 ~ 7.0							9	6.5	4						
R12S	5.0 ~ 7.0	2.0 ~ 3.5								11	7	5					

[Notes] Only for "Soft Trim"

DIMENSION DRAWING

HI-PERFORMANCE BUTTERFLY VALVES



NOTE.
 -Rating 50A ~ 400A : JIS 10K, 20K, ANSI 150#, 300#
 450A Over : JIS 10K, ANSI 150#

DIMENSIONS

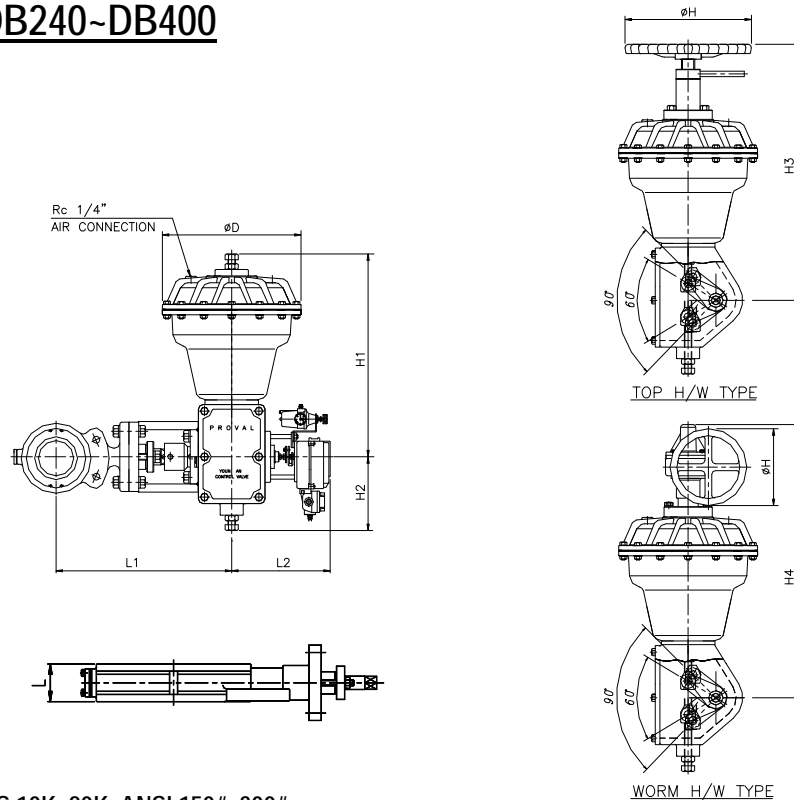
[Unit: mm]

Valve Size		L	ØG	Øg	Ød	H1	H2	H3	ØS	A	M	T	n-ØH
mm	inch												
50	2	43	100	46	100	75	120	60	15	12x12	15	13	4-9.5
65	2½	46	120	60	100	75	126	70	15	12x12	15	13	4-9.5
80	3	46	130	70	100	75	130	75	15	12x12	15	13	4-9.5
100	4	52	155	93	102	75	155	95	15	12x12	15	14	4-11.5
125	5	56	181	119	102	75	170	120	18	14x14	16	14	4-11.5
150	6	56	209	144	102	75	200	125	17.5	14x14	16	20	4-11.5
200	8	60	265	190	152	95	224	155	23	18x18	22	18	4-14
250	10	68	319	240	152	95	270	230	29	22x22	24	20	4-14
300	12	78	367	289	152	95	305	250	31	24x24	25	23	4-14
350	14	78	413	326	170	120	350	290	33	10x8key	45	22	4-16
400	16	102(210)	470	395	170	129	380	335	40	12x10 key	65	22	4-16
450	18	114	534	434	170	130	400	374	45	14x9 key	64	22	4-16
500	20	127	585	465	203	192	550	405	45	14x9key	55	25	4-19
600	24	154	695	570	203	202	580	465	50	14x9key	80	25	4-19
700	28	165	792	658	280	130	690	560	68	20x12key	130	35	4-23
800	32	190	890	743	280	130	760	615	78	22x14key	130	35	4-23
850	34	203	942	795	280	130	794	615	88	25x14key	130	35	4-23

MODEL	YA - 122E1	SIZE	50A - 850A
PROVAL Co., Ltd.			

DIMENSION DRAWING

ACTUATOR : DB240~DB400



NOTE.

- Rating 50A ~ 400A : JIS 10K, 20K, ANSI 150#, 300#
- 450A Over : JIS 10K, ANSI 150#

DIMENSIONS

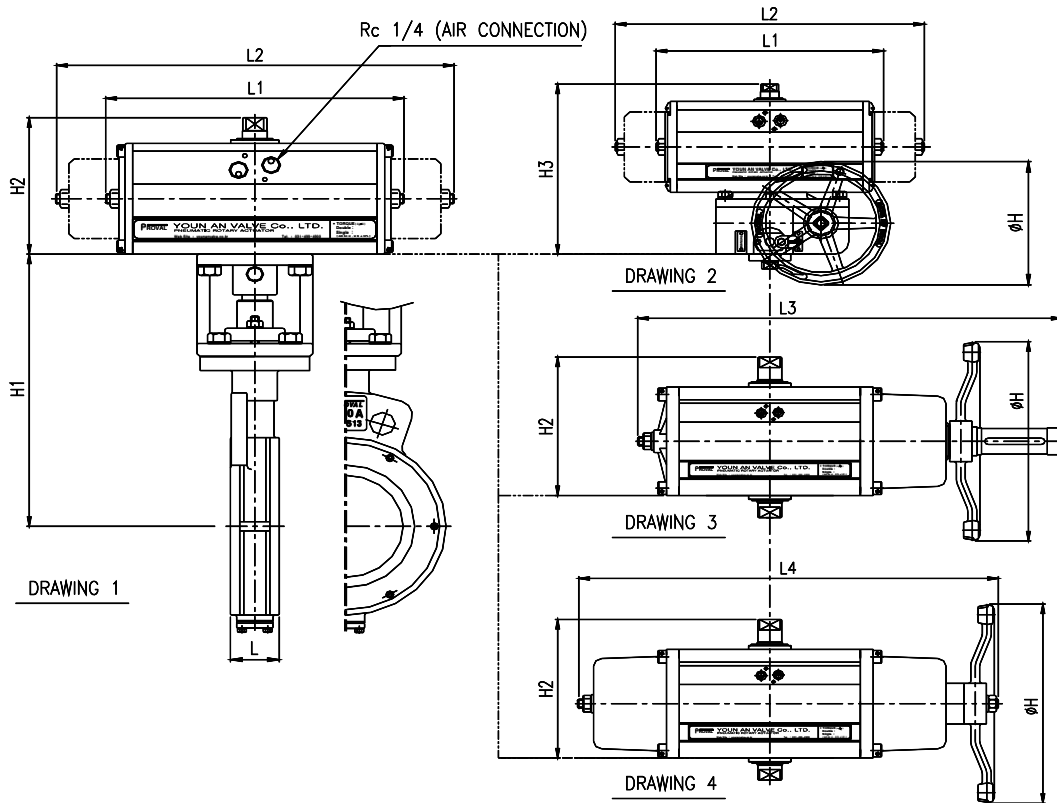
[Unit: mm]

Valve Size		L (JIS 10K, 20K /ANSI 150#, 300#)	ØD	Actuator Operating Angle(°)								L1	L2	ØH Top/ Worm
mm	inch			60° Control				90° Control						
				H1	H2	H3	H4	H1	H2	H3	H4			
50	2	43	240	360	130	518	668	400	170	518	668	300	250	200/200
65	2½	46	240	360	130	518	668	400	170	518	668	302	250	200/200
80	3	46	240	360	130	518	668	400	170	518	668	306	250	200/200
100	4	52	240	360	130	518	668	400	170	518	668	331	250	200/200
125	5	56	240	360	130	518	668	400	170	518	668	385	250	200/200
150	6	56	300	451	164	667	746	511	224	667	746	423	273	315/200
200	8	60	300	451	164	667	746	511	224	667	746	447	273	315/200
250	10	68	300	451	164	667	746	511	224	667	746	513	273	315/200
300	12	78	400	556	195	812	845	636	275	812	845	575	300	430/315
350	14	78	400	556	195	812	845	636	275	812	845	620	300	430/315
400	16	102	400	556	195	812	845	636	275	812	845	560	300	430/315
450	18	114	400	556	195	812	845	636	275	812	845	580	300	430/315
500	20	127	400	556	195	812	845	636	275	812	845	600	300	430/315
600	24	154	400	556	195	812	845	636	275	812	845	620	300	430/315

MODEL	YADB(YADHB) - 122E1, 322E1	SIZE	50A ~ 600A
PROVAL Co., Ltd.			

DIMENSION DRAWING

ACTUATOR : B0S(R)(H)~B6S(R)(H)



NOTE.

- * DRAWING 1 : STANDARD B0S(R)-B6S(R)
- * DRAWING 2 : H/W Type B0S(R)H-B2S(R)H
- * DRAWING 3 : H/W Type B3-6 SH
- * DRAWING 4 : H/W Type B3-6SRH

DIMENSIONS

[Unit: mm]

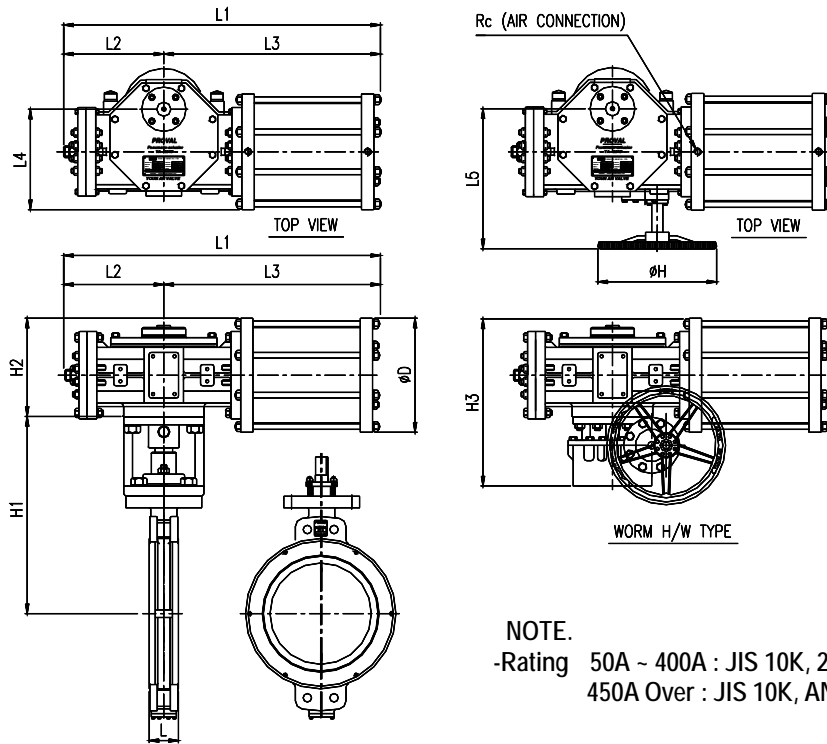
Valve Size		L (JIS 10K, 20K /ANSI 150#, 300#)	ACTUATOR				L3	L4	H1	H2		H3		ØH	
mm	Inch		Double Action		Single Action					D	S	D	S	D	S
			Model No.	L1	Model No.	L2									
50	2	43	B0S	170	B0SR	270	-	-	237	79	79	155	155	200	200
65	2½	46	B0S	170	B1SR	340	-	385	240	79	111	155	186	200	200
80	3	46	B1S	215	B2SR	405	355	510	245	111	131	186	206	200	200
100	4	52	B2S	250	B2SR	405	475	510	270	131	131	206	206	200	200
125	5	56	B2S	250	B3SR	560	475	640	280	131	184	206	335	200	315
150	6	56	B3S	310	B3SR	560	600	640	320	184	184	335	335	315	315
200	8	60	B3S	310	B4SR	610	600	725	370	184	184	335	335	315	315
250	10	68	B4S	400	B6SR	700	700	955	420	184	256	335	440	315	315
300	12	78	B4S	400	B6SR	700	700	955	440	184	256	335	440	315	315
350	14	78	B6S	475	R6SR	850	830	-	500	256	-	440	-	315	430
400	16	102	B6S	475	R6SR	850	830	-	580	256	-	440	-	315	430

MODEL	YABB(YABHB)-122E1,121E1,123E1,222E1,221E1,223E1 YABB(YABHB)-322E1,321E1, 323E1, YABB(YABHB)-112E1,212E1,111E1,211E1,312E1	SIZE	50A ~ 400A
PROVAL Co., Ltd.			

DIMENSION DRAWING

ACTUATOR : R6S(H)-R12S(H)

BODY : JIS 10K,ANSI 150# SOFT SEAT 2-WAY BALL



NOTE.
 -Rating 50A ~ 400A : JIS 10K, 20K, ANSI 150#, 300#
 450A Over : JIS 10K, ANSI 150#

DIMENSIONS

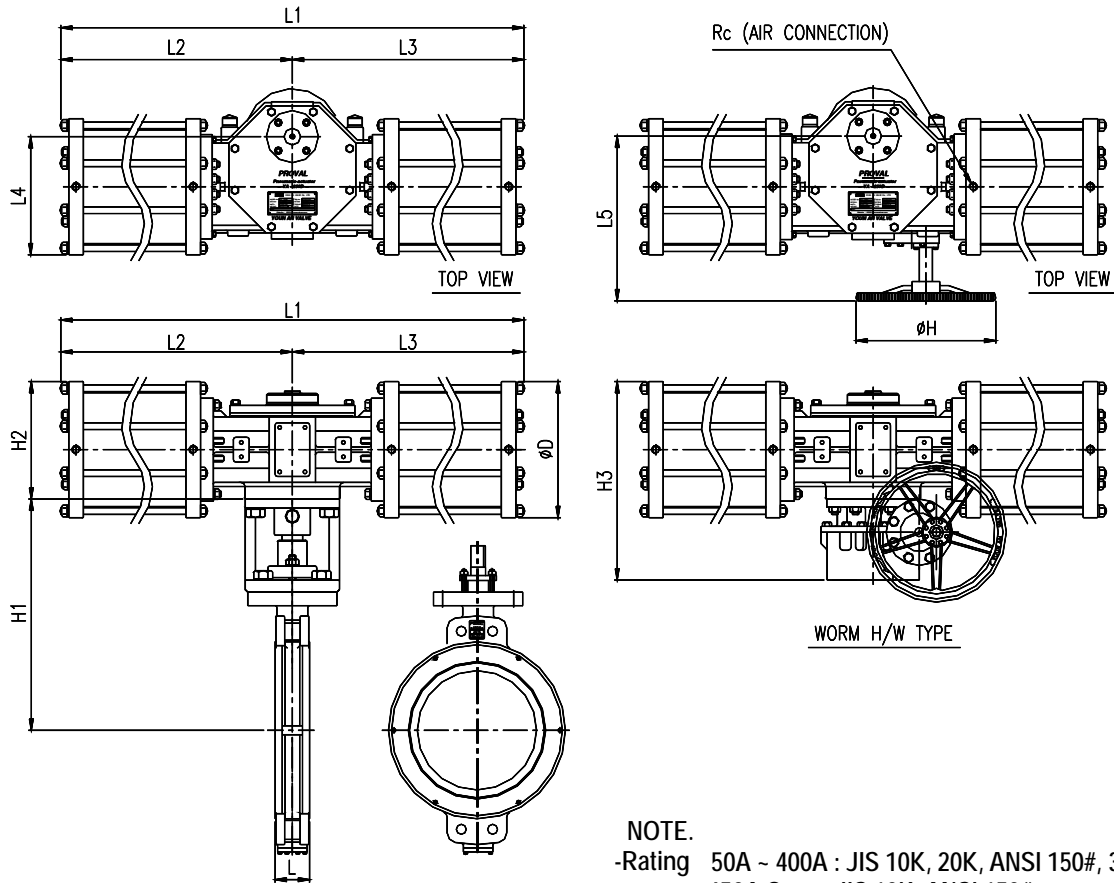
[Unit: mm]

Valve Size		L (JIS 10K, 20K /ANSI 150#, 300#)	ACTUATOR			L2	L3	L4	L5	H1	H2	H3	ØH	Rc
mm	inch		Model No.	L1	ØD									
350	14	78	R6S	750	210	235	515	240	623	500	240	490	430	3/8
400	16	102	R6S	750	270	235	515	240	623	580	240	490	430	3/8
450	18	114	R6S	750	270	235	515	240	623	600	240	490	430	3/8
500	20	127	R7S	940	270	291	649	255	638	750	255	505	430	3/8
600	24	154	R8S	940	325	291	649	283	638	780	283	533	430	3/8
700	28	165	R8S	940	325	291	649	283	638	890	283	533	430	3/8
800	32	190	R9S	940	390	291	649	315	638	960	315	565	430	1/2
850	34	203	R9S	940	390	291	649	315	638	995	315	565	430	1/2
900	36	-	R10S	940	420	291	649	330	638	-	330	580	430	1/2
1000	40	-	R11S	1165	420	379	786	360	668	-	360	610	430	1/2
1100	44	-	R12S	1165	490	379	786	395	668	-	395	645	430	1/2
1200	48	-	R12S	1165	490	379	786	395	668	-	395	645	430	1/2

MODEL	YABB(YABHB)-122E1,123E1,222E1,223E1 YABB(YABHB)-322E1, 323E1, YABB(YABHB)-112E1,212E1,312E1	SIZE	350A ~ 1200A
PROVAL Co., Ltd.			

DIMENSION DRAWING

ACTUATOR : R6SR(H)~R8SR(H)



NOTE.
 -Rating 50A ~ 400A : JIS 10K, 20K, ANSI 150#, 300#
 450A Over : JIS 10K, ANSI 150#

DIMENSIONS

[Unit: mm]

Valve Size		L (JIS 5K, 20K /ANSI 125#, 300#)	ACTUATOR			L2	L3	L4	L5	H1	H2	H3	ØH	Rc
mm	inch		Model No.	L1	ØD									
250	10	68	R6SR	1450	270	725	725	240	623	420	190	440	430	3/8
300	12	78	R6SR	1450	270	725	725	240	623	455	190	440	430	3/8
350	14	78	R6SR	1450	270	725	725	240	623	500	240	490	430	3/8
400	16	102	R6SR	1450	270	725	725	240	623	-	240	490	430	3/8
450	18	114	R6SR	1450	270	725	725	240	623	-	240	490	430	3/8
500	20	127	R7SR	1950	270	975	975	255	638	-	255	505	430	3/8
600	24	154	R8SR	1950	270	975	975	255	638	-	255	505	430	3/8
700	28	165	R8SR	1950	325	975	975	283	638	-	283	533	430	3/8
800	32	190	R9SR	1950	325	975	975	283	638	-	283	533	430	3/8

MODEL	YABB(YABHB)-122E1,123E1,222E1,223E1 YABB(YABHB)-322E1, 323E1, YABB(YABHB)-112E1,212E1,312E1	SIZE	250A - 800A
PROVAL Co., Ltd.			