



VALVE DATA SHEET

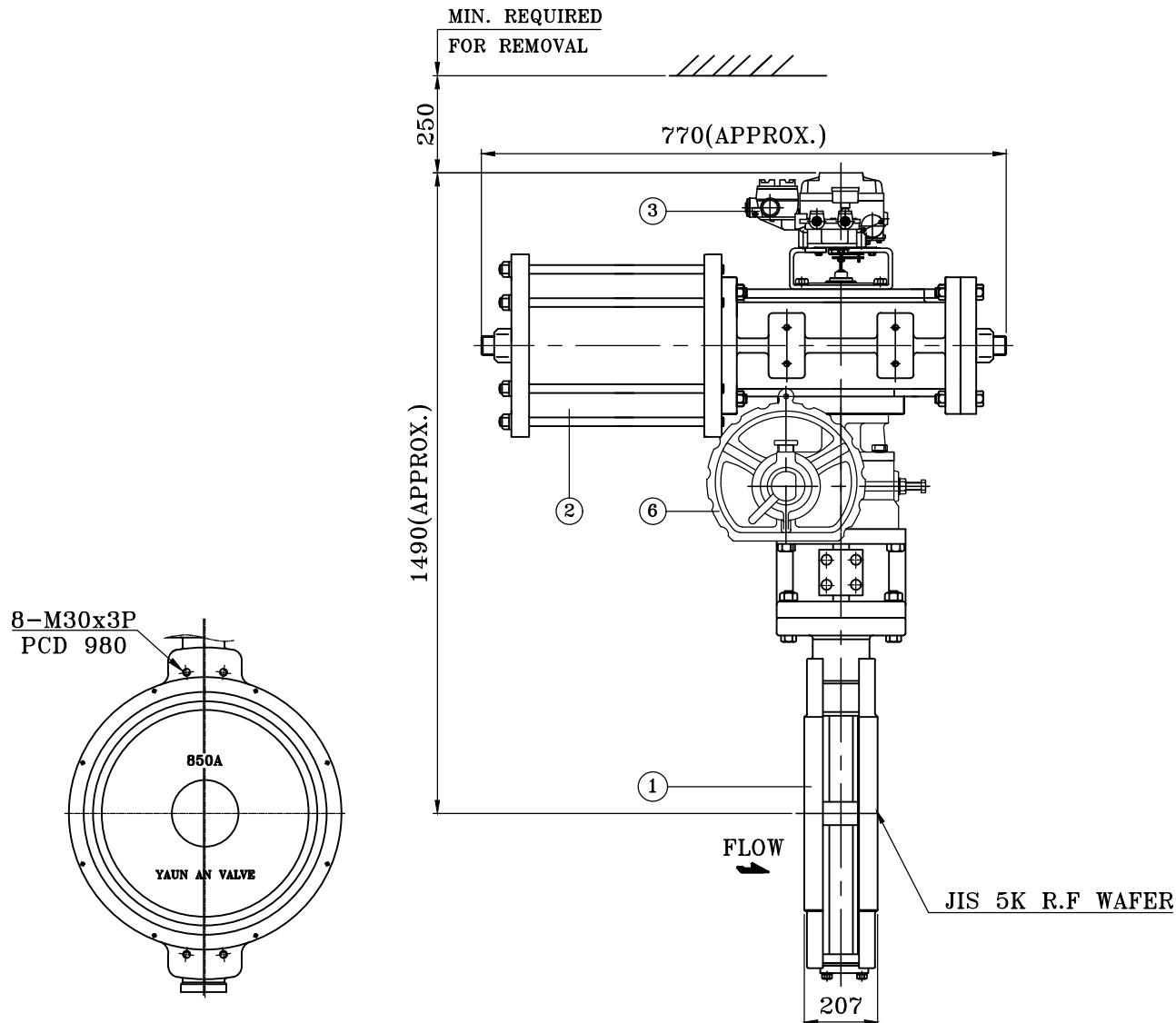
Sheet No. 1 of 1

Item	Pneumatic Control Hi-Performance Butterfly Valve		
Project			
Service			
Tag. No.	2FHCV-105	MFG. No.	
Model No.	YACHB-323E1	Q'ty (Set)	1

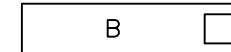
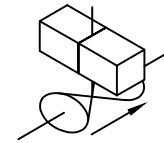
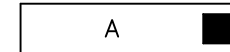
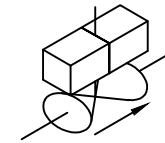
SERVICE CONDITIONS	1 Medium		Air		Gas		ACTUATOR	46	Actuator Type	Double Acting Cylinder		
	2		Max. Q	Nor. Q	Min. Q			47	Model No.	R8S		
	3	Flow Rate	Nm ³ /hr	25200	22200	1100		48	Close At (bar G)	Open At (bar G)	4.0	4.0
	4	Inlet Pressure	mmAq	ATM	ATM	ATM		49	Fail Position (Signal / Air)	Close / Last		
	5	Outlet Pressure	mmAq					50	Painting Color (RAL No.)	RAL 5019		
	6	Differential Pressure	mmAq	20	20	5		51	Painting Type	Polyurethane		
	7	Inlet Temperature	°C		35.2		HAND WHEEL	52	Type / Location	Dec clutchable		
	8	Specific Gravity	G		1.293			53	Painting Color (RAL No.)	RAL 9011		
	9	Density	kg/m ³					54	Painting Type	Polyurethane		
	10	Molecular Weight					I/P POSITIONER	55	Input Signal (mA DC)	4 - 20		
	11	Viscosity	cPs					56	Type	Conventional		
	12	Predicted SPL	dBA	28354	24100	2091		57	Enclosure	ExdIIBT5		
	13	Calculated Cv						58	Model No.	MFG.	YT-1000R	Rotork
	14	Opening Lift	%				POSITION TRANSMITTER	59	Output (mA DC)	-		
	15							60	Type	-		
	16						AIR SET	61	Supply Setting Pressure (bar G)	5.0 - 7.0		
17	Shut Off ΔP	mmAq				62		Model No.	MFG.	AR-2501	Proval	
LINE	18	Design	Pressure	mmAq	10000		SOLENOID VALVE	63	Power	AC110V		
	19		Temp.	°C	500			64	Type	3-Way		
	20	Inlet Pipe Size (A)	Sch. No.	850				65	Enclosure	ExdIIBT4		
	21	Outlet Pipe Size (A)	Sch. No.	850				66	Model No.	MFG.	MOOU-8AE-12PU	KANEKO
BODY & TRIM	22	Body Type		Butterfly (Hi-Performance)		LIMIT SWITCH	67	Quantity	-			
	23	Body Size (A)	Port Size (A)	850	850		68	Type	-			
	24	Trim Design		Eccentric			69	Enclosure	-			
	25	Trim Type		-		70	Model No.	MFG.	-	-		
	26	Trim Seal Ring	Guide	-	Top & Bottom		LOCK-UP VALVE	71	Setting Pressure (bar G)	-		
	27	Rating & End Connection		JIS 5K R.F Wafer		72		Model No.	-			
	28	Flange Facing		Smooth-Finish		SNAP-ACTING RELAY	73	Setting Pressure (bar G)	-			
	29	Material	Body	A216-WCB			74	Model No.	-			
	30		Trim (Disc/Seat)	A351-CF8 / SUS316		ACCESSORY	75	Air-Operated Valve	3-Way (2ea)			
	31		Stem	SUS304			76	Mechanical Valve	Yes			
	32		Packing	Graphite			77	Check Valve	-			
	33				78		Volume Booster	VB-1000 (2Set)				
	34	Bonnet Type	Standard		79		Exhaust Valve	-				
	35	Trim Form		Modified Equal %		80	Speed-Controller	Close/Open				
	36	Max.Allow Sound Level (dBA)		85		81	Silencer	-				
	37	Required Seat Tightness		ANSI CLASS III		MISCELLANEOUS	82	Conduit Connection	Air Supply	PT.F 1/2"		
	38	Rated Cv		46100			83		Electrical	PF.F 1/2"		
	39	Stroke		90°			84		Water Seal	-		
	40	Flow Action To		Direct			85		Jacket	-		
	41	Painting Color (RAL No.)		RAL 9006			86	Jacket Material	-			
	42	Painting Type		SS-Coat 909			87	Tubing Material	316 SS			
	43	Oil-Free / Water-Free Treatment		-			88	Sunshade Material	-			
	44						89					
	45						90					

NOTE	* Face to Face : 207mm
	* Solenoid Valve
	⊕ Energized시 : Valve Control
	⊖ De-energized시 : Valve Close
* Volume Tank : 현지 기존품 사용	

0	2024-09-12	For Quotation	E. Y. J	H. S. L	S. S. H
No.	Date	Revision	Prepared By	Checked By	Approved By



Actuator Location



- Tag No. : 2FHCV-105

3	Positioner			
2	Actuator			
1	Body	A216-WCB		
No.	Name Of Parts	Material	Remark	
0	2024.09.12	For Quotation	M.J Park	J.S Noh
REV.	DATE	DESCRIPTION	DRAW'N	APP'D
ITEM	Pneumatic Control Hi-Performance Butterfly Valve			
MODEL No.	YACHB-323E1	SIZE	850A	
DWG No.	20240912-02			
MFG No.	-	Sheet No.	1 of 1	



PROVAL Co., Ltd.