



VALVE DATA SHEET

Project	포스코 포항 소둔공장		
Item	Pneumatic Control 2-Way Globe Valve	Sheet No.	1 OF 2
Service		P&ID No.	
Tag. No.	D71269	MFG. No.	20221039
Model No.	YAD-12242	Q'ty (Set)	1

SERVICE CONDITIONS	1	Medium	Steam		Vapor	ACTUATOR	46	Actuator Type	Single Acting Diaphragm		
	2		Max. Q	Nor. Q	Nin. Q		47	Model No.	A-270M		
	3	Flow Rate	kg/hr				48	Close At (bar G)	Open At (bar G)	1.4	2.8
	4	Inlet Pressure	kgf/cm ² G	11-12			49	Fail Position (Signal / Air)	Close		
	5	Outlet Pressure	kgf/cm ² G				50	Hand-Wheel (Type / Location)	Screwed / Top		
	6	Differential Pressure	kgf/cm ²				51	Painting Color (RAL No.)	RAL 5019		
	7	Inlet Temperature	℃				52	Painting Type	Polyurethane		
	8	Specific Gravity	G				I / P POSITIONER	53	Input Signal (mA DC)	4 ~ 20	
	9	Density	kg/m ³					54	Output Pressure (bar G)	1.4 ~ 2.8	
	10	Molecular Weight	M.W					55	Type	Conventional	
	11	Viscosity	cPs					56	Enclosure	IP-66	
	12	Predicted SPL	dBA					57	Model No.	EP-6000	
	13	Calculated Cv						59	MFG.	Proval	
	14	Opening Lift	%					POSITION TRANSMITTER	59	Output (mA DC)	-
	15						60		Type	-	
	16						61		Model No.	-	
DESIGN	17	Shut Off ΔP			kgf/cm ² G	SOLENOID VALVE	62	Power	-		
	18	Design Pressure			kgf/cm ² G		63	Type	-		
	19	Design Temp.			℃		64	Enclosure	-		
LINE	20	Inlet Pipe Size (A) / Sch. No.	50			LIMIT SWITCH	65	Model No.	-		
	21	Outlet Pipe Size (A) / Sch. No.	50				66	MFG.	-		
BODY & TRIM	22	Body Type	Globe (2-Way)			AIR SET	67	Quantity	-		
	23	Body Size (A)	Port Size (A)	50	40		68	Type	-		
	24	Trim Design	Guide	Quick-Change	Cage		69	Enclosure	-		
	25	Trim Type	Trim Seal Ring	Unbalanced	-		70	Model No.	-		
	26	Rating & End Connection	JIS 20K R.F Flanged				71	MFG.	-		
	27	Flange Facing	Spiral Serrated (125-250 AARH)				72	Air Supply Pressure (bar G)	3.6		
	28	Material	Body	A105			ACCESSORY	73	Model No.	AR-1501	
	29		Plug / Disc / Ball	SUS316 (Stellited)		74		Lock-Up Valve	-		
	30		Seat	SUS316 (Stellited)		75		Volume Booster	-		
	31		Cage	SUS316		76		Snap Acting Relay	-		
	32		Stem	SUS316		77		Check Valve	-		
	33		Packing	PTFE		78		Air-Operated Valve	-		
	34	Bonnet Type	Standard			79	Exhaust Valve	-			
	35	Trim Form	Equal %			80	Speed-Controller	-			
	36	Max.Allow Sound Level (dBA)	Less than 85			81					
	37	Required Seat Tightness	ANSI CLASS IV			82					
	38	Rated Cv	30			83					
	39	Stroke	-			84					
	40	Flow Action To	Up			85					
	41	Painting Color (RAL No.)	RAL 9006			MISCELLANEOUS	86	Conduit Connection	Air Supply	PT.F 1/4"	
	42	Painting Type	SS-Coat 909				87		Electrical	PF.F 1/2"	
	43						88	Water Seal	-		
	44						89	Tubing Material	316 SS		
	45						90				

* Face to Face : 230mm

NOTE						
B	2022-10-05		For Approval	S. J. K	H. S. L	S. S. H
A	2022-10-04		For Approval	S. J. K	H. S. L	S. S. H
No.	Date		Revision	Prepared By	Checked By	Approved By

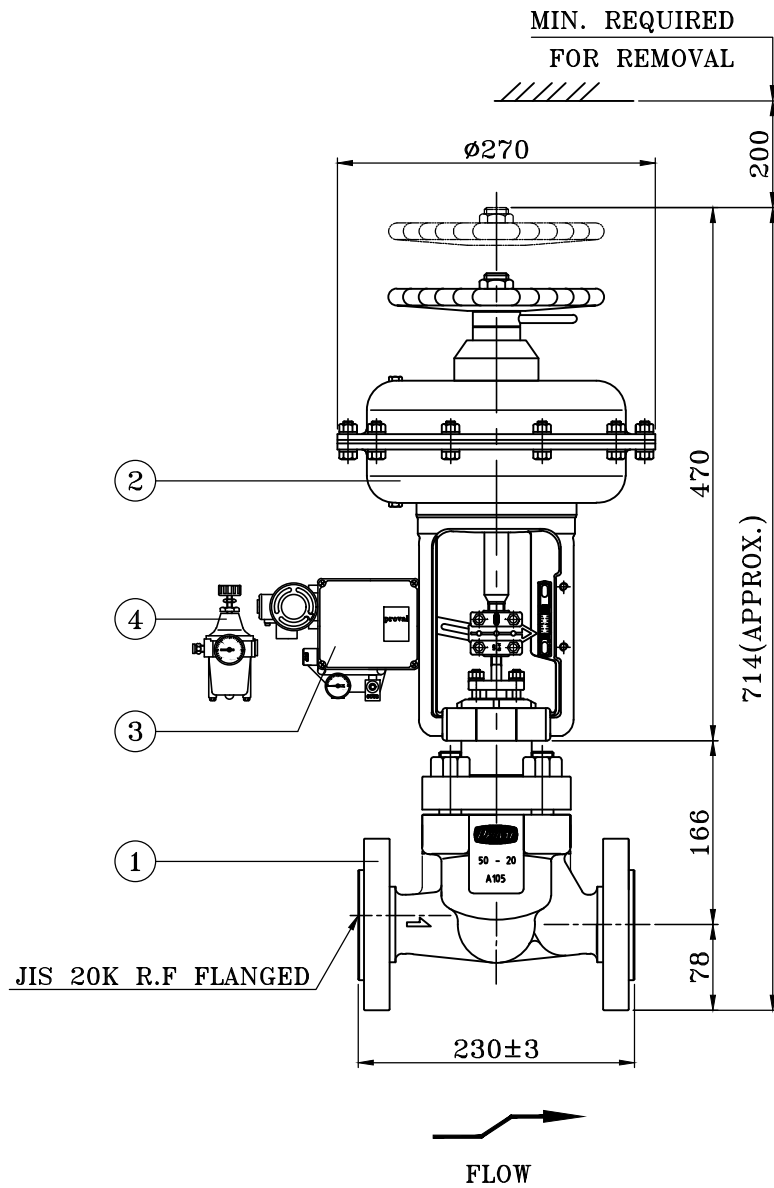


VALVE DATA SHEET

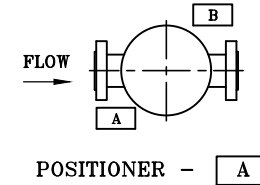
Project	포스코 포항 소둔공장		
Item	Pneumatic Control 2-Way Globe Valve	Sheet No.	2 OF 2
Service		P&ID No.	
Tag. No.	D71270	MFG. No.	20221040
Model No.	YAD-122Q3	Q'ty (Set)	1

SERVICE CONDITIONS	1	Medium	Steam		Vapor		ACTUATOR	46	Actuator Type	Single Acting Diaphragm		
	2		Max. Q	Nor. Q	Nin. Q			47	Model No.	A-270M		
	3	Flow Rate	kg/hr					48	Close At (bar G)	Open At (bar G)	1.4	2.8
	4	Inlet Pressure	kgf/cm ² G	13				49	Fail Position (Signal / Air)	Close		
	5	Outlet Pressure	kgf/cm ² G					50	Hand-Wheel (Type / Location)	Screwed / Top		
	6	Differential Pressure	kgf/cm ²					51	Painting Color (RAL No.)	RAL 5019		
	7	Inlet Temperature	℃	200				52	Painting Type	Polyurethane		
	8	Specific Gravity	G					I / P POSITIONER	53	Input Signal (mA DC)	4 ~ 20	
	9	Density	kg/m ³						54	Output Pressure (bar G)	1.4 ~ 2.8	
	10	Molecular Weight	M.W						55	Type	Conventional	
	11	Viscosity	cPs						56	Enclosure	IP-66	
	12	Predicted SPL	dBA						57	Model No.	EP-6000	
	13	Calculated Cv							59	MFG.	Proval	
	14	Opening Lift	%						POSITION TRANSMITTER	59	Output (mA DC)	-
	15							60		Type	-	
	16							61		Model No.	-	
DESIGN	17	Shut Off ΔP			kgf/cm ² G		SOLENOID VALVE	62	Power	-		
	18	Design Pressure			kgf/cm ² G			63	Type	-		
	19	Design Temp.			℃			64	Enclosure	-		
LINE	20	Inlet Pipe Size (A) / Sch. No.					LIMIT SWITCH	65	Model No.	-		
	21	Outlet Pipe Size (A) / Sch. No.						66	MFG.	-		
BODY & TRIM	22	Body Type	Globe (2-Way)				AIR SET	67	Quantity	-		
	23	Body Size (A)	Port Size (A)	50	40			68	Type	-		
	24	Trim Design	Guide	Quick-Change	Cage			69	Enclosure	-		
	25	Trim Type	Trim Seal Ring	Unbalanced	-			70	Model No.	-		
	26	Rating & End Connection	PN 40bar R.F Flanged					71	MFG.	-		
	27	Flange Facing	Spiral Serrated (125~250 AARH)				ACCESSORY	72	Air Supply Pressure (bar G)	3.6		
	28	Material	Body	A105				73	Model No.	AR-1501		
	29		Plug / Disc / Ball	SUS420J2 (H.T)				74	Lock-Up Valve	-		
	30		Seat	SUS420J2 (H.T)				75	Volume Booster	-		
	31		Cage	SUS420J2 (H.T)				76	Snap Acting Relay	-		
	32		Stem	SUS316				77	Check Valve	-		
	33		Packing	Graphite				78	Air-Operated Valve	-		
	34	Bonnet Type	Extension					79	Exhaust Valve	-		
	35	Trim Form	Equal %					80	Speed-Controller	-		
	36	Max.Allow Sound Level (dBA)	Less than 85					81				
	37	Required Seat Tightness	ANSI CLASS IV				82					
	38	Rated Cv	30				83					
	39	Stroke	-				84					
	40	Flow Action To	Up				85					
	41	Painting Color (RAL No.)	RAL 9006				MISCELLANEOUS	86	Conduit Connection	Air Supply	PT.F 1/4"	
42	Painting Type	SS-Coat 909				87			Electrical	PF.F 1/2"		
43						88		Water Seal	-			
44						89		Tubing Material	316 SS			
45						90						

NOTE	* Face to Face : 223mm						
A	2022-10-04	For Approval			S. J. K	H. S. L	S. S. H
No.	Date	Revision			Prepared By	Checked By	Approved By



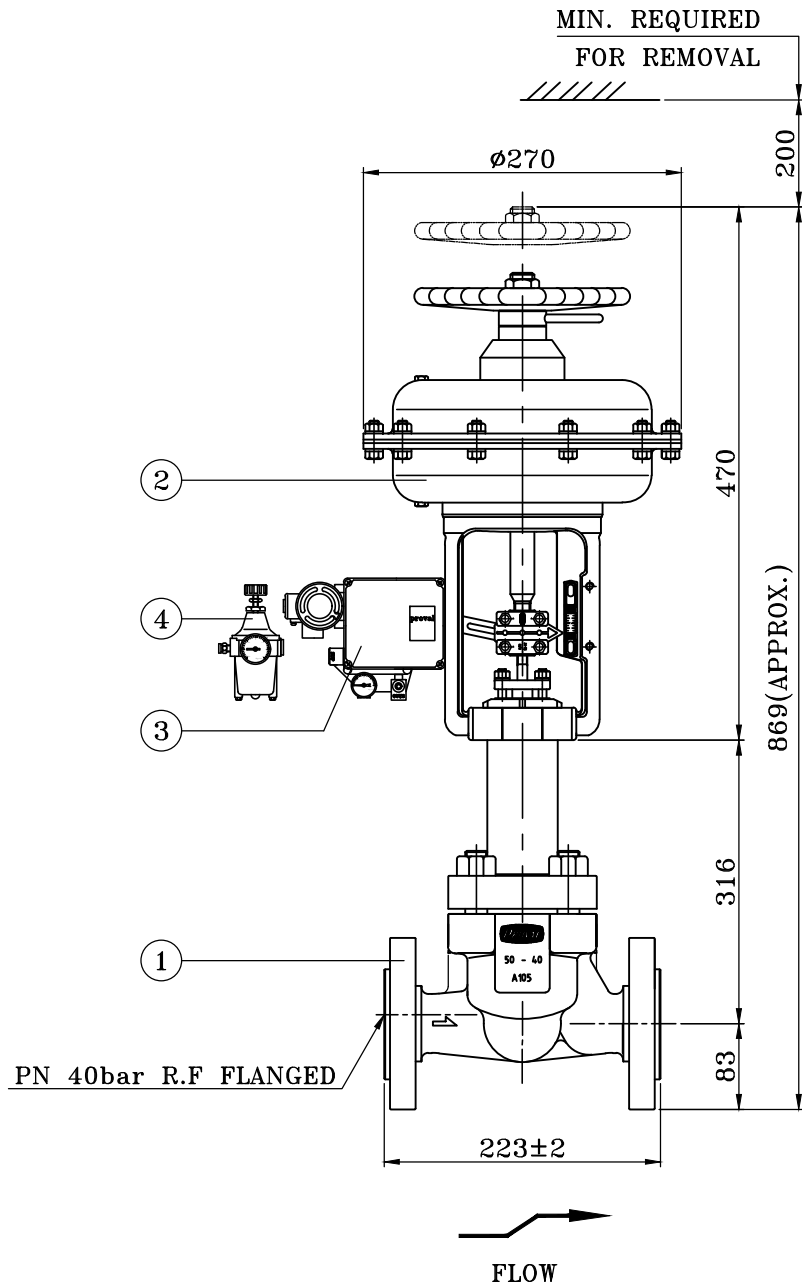
Accessories Location (Top View)



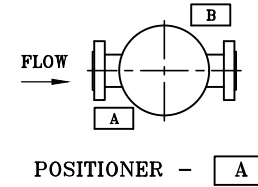
- Tag No. : D71269

4	Air-Set		
3	Positioner		
2	Actuator		
1	Body	A105	
No.	Name Of Parts	Material	Remark
Model No.	YAD-12242	Size	50A
DWG. Name		Pneumatic Control 2-Way Globe Valve	
DRAW'N	J.H Bae	APP'D	J.S Noh
	Date	2022.10.05	
	Rev.	B	
	Sheet No.	1 of 2	

PROVAL PROVAL Co., Ltd.



Accessories Location (Top View)



- Tag No. : D71270

4	Air-Set		
3	Positioner		
2	Actuator		
1	Body	A105	
No.	Name Of Parts	Material	Remark
Model No.	YAD-122Q3	Size	50Ax40A
DWG. Name Pneumatic Control 2-Way Globe Valve			
DRAW'N	J.H Bae	APP'D	J.S Noh
Date	2022.10.04	Rev.	A
Sheet No.	2 of 2		

PROVAL PROVAL Co., Ltd.