



VALVE DATA SHEET

Project			
Item	Pneumatic Control Hi-Performance Butterfly Valve	Sheet No.	8 OF 10
Service		P&ID No.	
Tag. No.		MFG. No.	
Model No.	PRO-BDS	Q'ty (Set)	2

SERVICE CONDITIONS	1	Medium	Water		Liquid		ACTUATOR	46	Actuator Type	Single Acting Diaphragm		
	2		Max. Q	Nor. Q	Nin. Q			47	Model No.	DB-360		
	3	Flow Rate	kg/hr					48	Close At (bar G)	Open At (bar G)	2.0	1.2
	4	Inlet Pressure	kgf/cm ² G					49	Fail Position (Signal / Air)	Open		
	5	Outlet Pressure	kgf/cm ² G					50	Hand-Wheel (Type / Location)	-		
	6	Differential Pressure	kgf/cm ²					51	Painting Color (RAL No.)	RAL 5019		
	7	Inlet Temperature	°C					52	Painting Type	Polyurethane		
	8	Specific Gravity	G					I / P POSITIONER	53	Input Signal (mA DC)	4 ~ 20	
	9	Density	kg/m ³						54	Output Pressure (bar G)	1.2 ~ 2.0	
	10	Molecular Weight	M.W						55	Type	Conventional	
	11	Viscosity	cPs						56	Enclosure	IP-66	
	12	Predicted SPL	dBA						57	Model No.	EP-6100	
	13	Calculated Cv							59	MFG.	Proval	
	14	Opening Lift	%						POSITION TRANSMITTER	59	Output (mA DC)	-
	15							60		Type	-	
	16							61		Model No.	-	
DESIGN	17	Shut Off ΔP			kgf/cm ² G	SOLENOID VALVE	62	Power	-			
	18	Design Pressure			kgf/cm ² G		63	Type	-			
	19	Design Temp.			°C		64	Enclosure	-			
LINE	20	Inlet Pipe Size (A) / Sch. No.	200			LIMIT SWITCH	65	Model No.	-			
	21	Outlet Pipe Size (A) / Sch. No.	200				66	MFG.	-			
BODY & TRIM	22	Body Type	Butterfly (Hi-Performance)			AIR SET	67	Quantity	-			
	23	Body Size (A) / Port Size (A)	200	200			68	Type	-			
	24	Trim Design	Guide	Eccentric	Top & Bottom		ACCESSORY	69	Enclosure	-		
	25	Trim Type	Trim Seal Ring	-	-			70	Model No.	-		
	26	Rating & End Connection	JIS 10K R.F Wafer					71	MFG.	-		
	27	Flange Facing	Smooth-Finish			72		Air Supply Pressure (bar G)	3.2			
	Material	28	Body	A216-WCB				73	Model No.	AR-1501		
		29	Plug / Disc / Ball	A351-CF8				74	Lock-Up Valve	-		
		30	Seat	RTFE				75	Volume Booster	-		
		31	Cage	-				76	Snap Acting Relay	-		
		32	Stem	SUS304				77	Check Valve	-		
	33	Packing	PTFE			78		Air-Operated Valve	-			
	34	Bonnet Type	Standard			79	Exhaust Valve	-				
	35	Trim Form	Modified Equal %			80	Speed-Controller	-				
	36	Max.Allow Sound Level (dBA)	Less than 85			81						
	37	Required Seat Tightness	ANSI CLASS VI			82						
	38	Rated Cv	1236			83						
	39	Stroke	60°			84						
	40	Flow Action To	Direct			85						
	41	Painting Color (RAL No.)	RAL 9006			MISCELLANEOUS	86	Conduit Connection	Air Supply	PT.F 1/4"		
	42	Painting Type	SS-Coat 909				87		Electrical	PF.F 1/2"		
	43						88	Water Seal	-			
	44						89	Tubing Material	316 SS			
	45						90					

* Actuator 방향 : Type 1

NOTE						
B	2022-10-07		For Approval	S. J. K	H. S. L	S. S. H
A	2022-10-04		For Approval	S. J. K	H. S. L	S. S. H
No.	Date		Revision	Prepared By	Checked By	Approved By

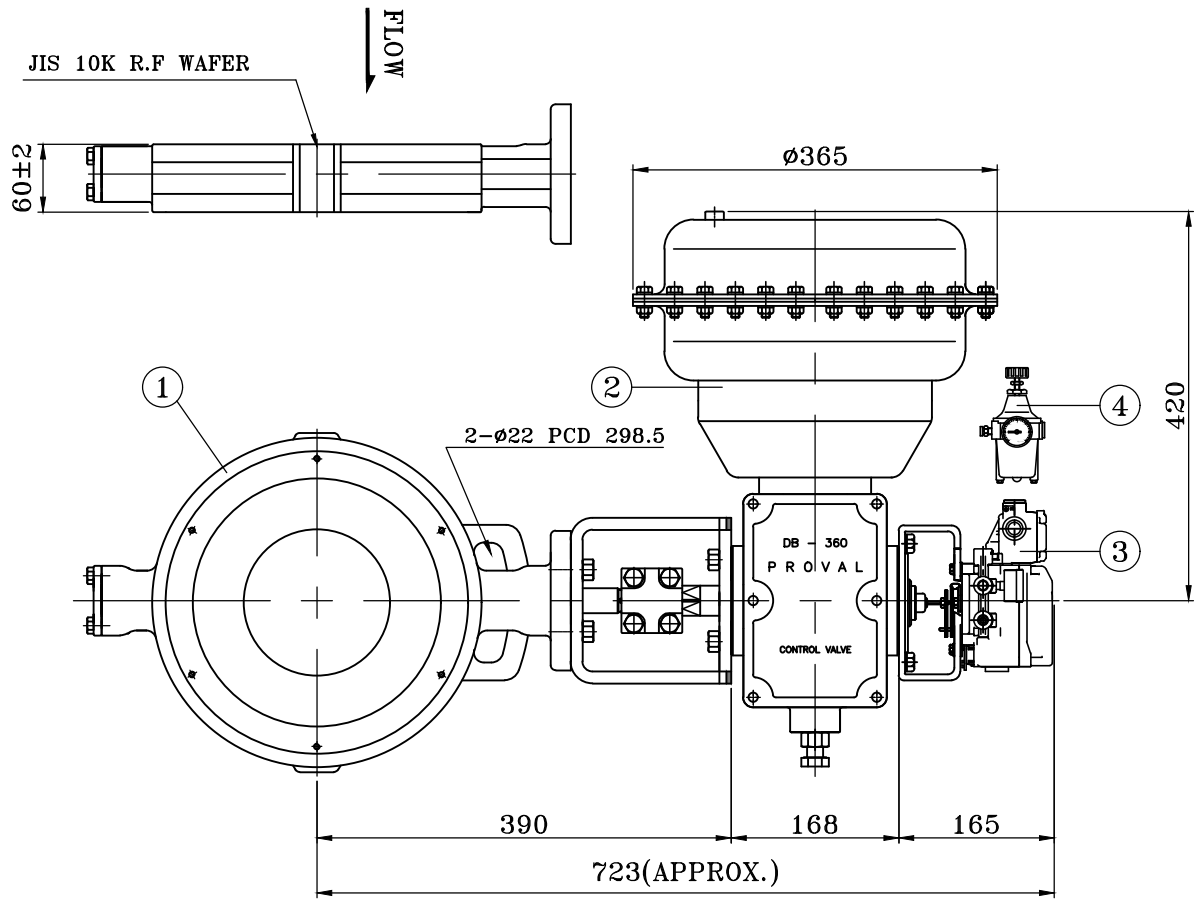


VALVE DATA SHEET

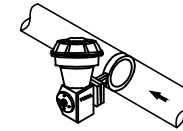
Project			
Item	Pneumatic Control Hi-Performance Butterfly Valve	Sheet No.	9 OF 10
Service		P&ID No.	
Tag. No.		MFG. No.	
Model No.	PRO-BDS	Q'ty (Set)	1

SERVICE CONDITIONS	1	Medium	Water		Liquid		ACTUATOR	46	Actuator Type	Single Acting Diaphragm		
	2		Max. Q	Nor. Q	Nin. Q			47	Model No.	DB-360		
	3	Flow Rate	kg/hr					48	Close At (bar G)	Open At (bar G)	2.0	1.2
	4	Inlet Pressure	kgf/cm ² G					49	Fail Position (Signal / Air)	Open		
	5	Outlet Pressure	kgf/cm ² G					50	Hand-Wheel (Type / Location)	-		
	6	Differential Pressure	kgf/cm ²					51	Painting Color (RAL No.)	RAL 5019		
	7	Inlet Temperature	°C					52	Painting Type	Polyurethane		
	8	Specific Gravity	G					I / P POSITIONER	53	Input Signal (mA DC)	4 ~ 20	
	9	Density	kg/m ³						54	Output Pressure (bar G)	1.2 ~ 2.0	
	10	Molecular Weight	M.W						55	Type	Conventional	
	11	Viscosity	cPs						56	Enclosure	IP-66	
	12	Predicted SPL	dBA						57	Model No.	EP-6100	
	13	Calculated Cv							59	MFG.	Proval	
	14	Opening Lift	%						POSITION TRANSMITTER	59	Output (mA DC)	-
	15							60		Type	-	
	16							61		Model No.	-	
DESIGN	17	Shut Off ΔP			kgf/cm ² G		SOLENOID VALVE	62	Power	-		
	18	Design Pressure			kgf/cm ² G			63	Type	-		
	19	Design Temp.			°C			64	Enclosure	-		
LINE	20	Inlet Pipe Size (A) / Sch. No.	150				LIMIT SWITCH	65	Model No.	-		
	21	Outlet Pipe Size (A) / Sch. No.	150					66	MFG.	-		
BODY & TRIM	22	Body Type	Butterfly (Hi-Performance)				AIR SET	67	Quantity	-		
	23	Body Size (A)	Port Size (A)	150	150			68	Type	-		
	24	Trim Design	Guide	Eccentric	Top & Bottom			69	Enclosure	-		
	25	Trim Type	Trim Seal Ring	-	-			70	Model No.	-		
	26	Rating & End Connection	JIS 10K R.F Wafer					71	MFG.	-		
	27	Flange Facing	Smooth-Finish				ACCESSORY	72	Air Supply Pressure (bar G)	3.2		
	28	Material	Body	SCPH2				73	Model No.	AR-1501		
	29		Plug / Disc / Ball	SCS13				74	Lock-Up Valve	-		
	30		Seat	RTFE				75	Volume Booster	-		
	31		Cage	-				76	Snap Acting Relay	-		
	32		Stem	SUS304				77	Check Valve	-		
	33		Packing	PTFE				78	Air-Operated Valve	-		
	34	Bonnet Type	Standard					79	Exhaust Valve	-		
	35	Trim Form	Modified Equal %					80	Speed-Controller	-		
	36	Max.Allow Sound Level (dBA)	Less than 85					81				
	37	Required Seat Tightness	ANSI CLASS VI				82					
	38	Rated Cv	644				83					
	39	Stroke	60°				84					
	40	Flow Action To	Direct				85					
	41	Painting Color (RAL No.)	RAL 9006				MISCELLANEOUS	86	Conduit Connection	Air Supply	PT.F 1/4"	
	42	Painting Type	SS-Coat 909					87		Electrical	PF.F 1/2"	
	43							88	Water Seal	-		
	44							89	Tubing Material	316 SS		
	45							90				

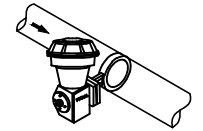
NOTE	* Actuator 방향 : Std.					
B	2022-10-07	For Approval		S. J. K	H. S. L	S. S. H
A	2022-10-04	For Approval		S. J. K	H. S. L	S. S. H
No.	Date	Revision		Prepared By	Checked By	Approved By



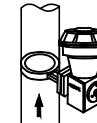
Actuator Location



STANDARD



TYPE 1



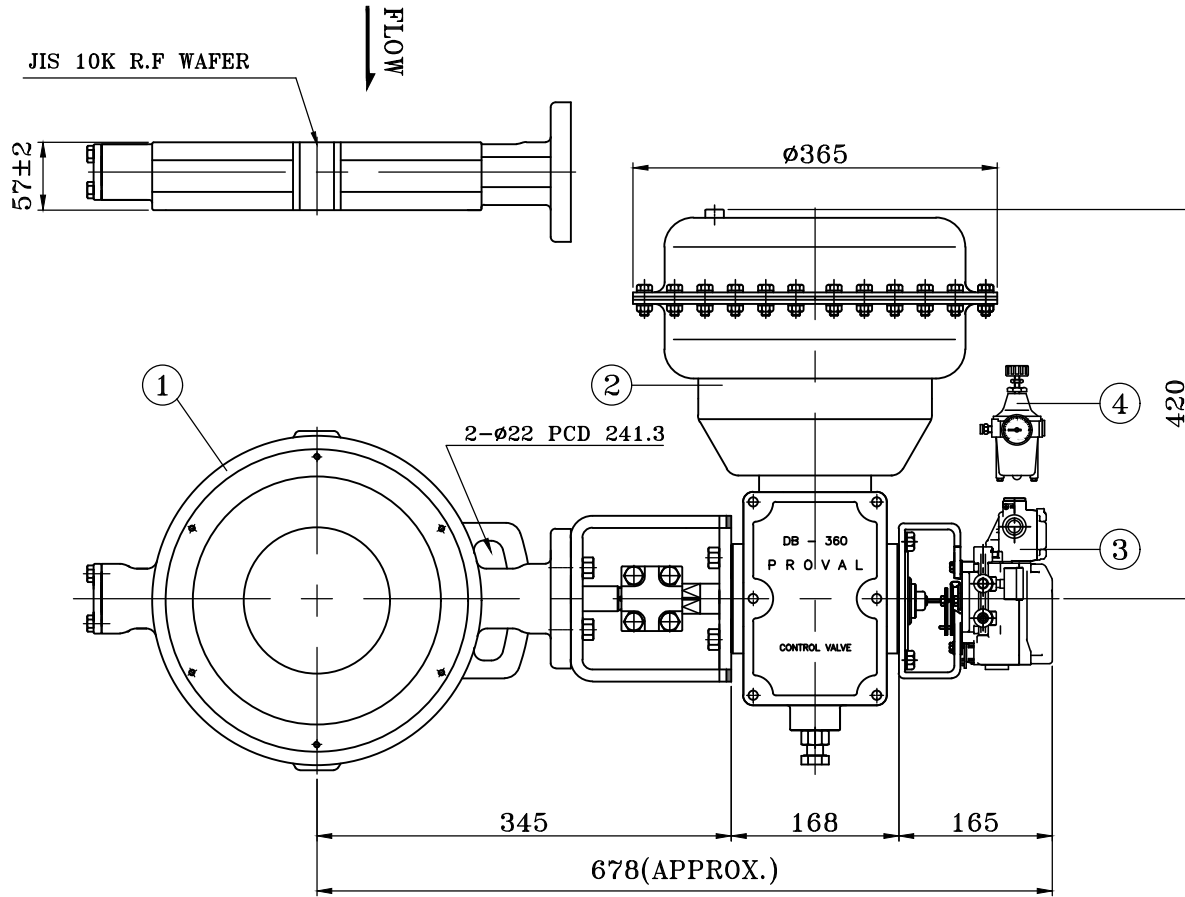
TYPE 2



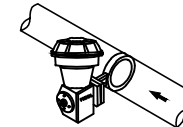
TYPE 3

- Tag No. : -

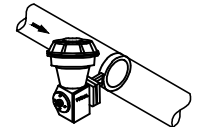
4	Air-Set		
3	Positioner		
2	Actuator		
1	Body	SCPH2	
No.	Name Of Parts	Material	Remark
Model No.	PRO-BDS	Size	200A
DWG. Name Pneumatic Control Hi-Performance Butterfly Valve			
DRAW'N	J.H Bae	APP'D	J.S Noh
PROVAL Co., Ltd.		Date	2022.10.05
		Rev.	A
		Sheet No.	8 of 9



Actuator Location



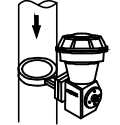
STANDARD



TYPE 1



TYPE 2



TYPE 3

- Tag No. : -

4	Air-Set		
3	Positioner		
2	Actuator		
1	Body	SCPH2	
No.	Name Of Parts	Material	Remark
Model No.	PRO-BDS	Size	150A
DWG. Name Pneumatic Control Hi-Performance Butterfly Valve			
DRAW'N	J.H Bae	APP'D	J.S Noh
PROVAL Co., Ltd.		Date	2022.10.05
		Rev.	A
		Sheet No.	9 of 9